

**DENON**  
*PROFESSIONAL*

CD/iPod PLAYER

**DN-500C**

---

Owner's Manual

Preparations

Operations

Information



**CAUTION**  
**RISK OF ELECTRIC SHOCK**  
**DO NOT OPEN**



**CAUTION:**

**TO REDUCE THE RISK OF ELECTRIC SHOCK, DO NOT REMOVE COVER (OR BACK). NO USER-SERVICEABLE PARTS INSIDE. REFER SERVICING TO QUALIFIED SERVICE PERSONNEL.**



The lightning flash with arrowhead symbol, within an equilateral triangle, is intended to alert the user to the presence of uninsulated "dangerous voltage" within the product's enclosure that may be of sufficient magnitude to constitute a risk of electric shock to persons.



The exclamation point within an equilateral triangle is intended to alert the user to the presence of important operating and maintenance (servicing) instructions in the literature accompanying the appliance.

**IMPORTANT TO SAFETY**

**WARNING:**

**To reduce the risk of fire and electric shock, this apparatus should not be exposed to rain or moisture.**

**CAUTION:**

**USE OF CONTROLS OR ADJUSTMENTS OR PERFORMANCE OF PROCEDURES OTHER THAN THOSE SPECIFIED HEREIN MAY RESULT IN HAZARDOUS RADIATION EXPOSURE. THIS PRODUCT SHOULD NOT BE ADJUSTED OR REPAIRED BY ANYONE EXCEPT PROPERLY QUALIFIED SERVICE PERSONNEL.**

**FCC INFORMATION**  
**(For US customers)**

**1. PRODUCT**

This product complies with Part 15 of the FCC Rules. Operation is subject to the following two conditions: (1) this product may not cause harmful interference, and (2) this product must accept any interference received, including interference that may cause undesired operation.

**2. IMPORTANT NOTICE: DO NOT MODIFY THIS PRODUCT**

This product, when installed as indicated in the instructions contained in this manual, meets FCC requirements. Modification not expressly approved by DENON may void your authority, granted by the FCC, to use the product.

**3. NOTE**

This product has been tested and found to comply with the limits for a Class B digital device, pursuant to Part 15 of the FCC Rules. These limits are designed to provide reasonable protection against harmful interference in a residential installation.

This product generates, uses and can radiate radio frequency energy and, if not installed and used in accordance with the instructions, may cause harmful interference to radio communications. However, there is no guarantee that interference will not occur in a particular installation. If this product does cause harmful interference to radio or television reception, which can be determined by turning the product OFF and ON, the user is encouraged to try to correct the interference by one or more of the following measures:

- Reorient or relocate the receiving antenna.
- Increase the separation between the equipment and receiver.
- Connect the product into an outlet on a circuit different from that to which the receiver is connected.
- Consult the local retailer authorized to distribute this type of product or an experienced radio/TV technician for help.

For Canadian customers:

This Class B apparatus complies with Canadian ICES-003.

This Class B apparatus complies with Canadian NMB-003.

# IMPORTANT SAFETY INSTRUCTIONS

1. Read these instructions.
2. Keep these instructions.
3. Heed all warnings.
4. Follow all instructions.
5. Do not use this apparatus near water.
6. Clean only with dry cloth.
7. Do not block any ventilation openings. Install in accordance with the manufacturer's instructions.
8. Do not install near any heat sources such as radiators, heat registers, stoves, or other apparatus (including amplifiers) that produce heat.
9. Do not defeat the safety purpose of the grounding-type plug. A grounding type plug has two blades and a third grounding prong. The third prong is provided for your safety. If the provided plug does not fit into your outlet, consult an electrician for replacement of the obsolete outlet.
10. Protect the power cord from being walked on or pinched particularly at plugs, convenience receptacles, and the point where they exit from the apparatus.
11. Only use attachments/accessories specified by the manufacturer.
12. Use only with the cart, stand, tripod, bracket, or table specified by the manufacturer, or sold with the apparatus. When a cart is used, use caution when moving the cart/apparatus combination to avoid injury from tip-over.
13. Unplug this apparatus during lightning storms or when unused for long periods of time.
14. Refer all servicing to qualified service personnel. Servicing is required when the apparatus has been damaged in any way, such as power-supply cord or plug is damaged, liquid has been spilled or objects have fallen into the apparatus, the apparatus has been exposed to rain or moisture, does not operate normally, or has been dropped.
15. WARNING: To reduce the risk of fire or electric shock, do not expose this apparatus to rain or moisture.
16. The apparatus shall be connected to a MAINS socket outlet with a protective earthing connection.
17. Where an appliance coupler is used as the disconnect device, the disconnect device shall remain readily operable.



## ☐ Laser Class (IEC60825-1:2007) CLASS 1 LASER PRODUCT LUOKAN 1 LASERLAITE KLASS 1 LASERAPPARAT

“CLASS 1  
LASER PRODUCT”

**ADVARSEL:** USYNLIG LASERSTRÅLING VED ÅBNING, NÅR SIKKERHEDSAFBRYDERE ER UDE AF FUNKTION. UNDGA UDSÆTTELSE FOR STRÅLING.

**VAROITUS!** LAITTEEN KÄYTTÄMINEN MUULLA KUIN TÄSSÄ KÄYTTÖOHJEESSA MAINITULLA TAVALLA SAATTA ALTISTAA KÄYTTÄJÄN TURVALLISUUSLUOKAN 1 YLITTÄVÄLLE NÄKYMÄMTTÖMÄLLE LASERSÄTEILYLLE.

**WARNING:** OM APPARATEN ANVÄNDS PÅ ANNAT SÄTT ÄN I DENNA BRUKSANVISNING SPECIFICERATS, KAN ANVÄNDAREN UTSÄTTAS FÖR OSYNLIG LASERSTRÅLNING SOM ÖVERSKRIDER GRÄNSEN FÖR LASERKLASS 1.



ATTENZIONE: QUESTO APPARECCHIO E' DOTATO DI DISPOSITIVO OTTICO CON RAGGIO LASER. L'USO IMPROPRIO DELL'APPARECCHIO PUO' CAUSARE PERICOLOSE ESPOSIZIONI A RADIAZIONI!!

## CAUTION

### 1. Handle the power supply cord carefully

Do not damage or deform the power supply cord. If it is damaged or deformed, it may cause electric shock or malfunction when used. When removing from wall outlet, be sure to remove by holding the plug attachment and not by pulling the cord.

### 2. Do not open the rear cover

In order to prevent electric shock, do not open the top cover. If problems occur, contact your DENON DEALER.

### 3. Do not place anything inside

Do not place metal objects or spill liquid inside the system. Electric shock or malfunction may result.

Please, record and retain the Model name and serial number of your set shown on the rating label.

Model No. DN-500C

Serial No. \_\_\_\_\_

**NOTE ON USE/HINWEISE ZUM GEBRAUCH/OBSERVATIONS RELATIVES A L'UTILISATION/  
NOTE SULL'USO/NOTAS SOBRE EL USO/ALVORENS TE GEBRUIKEN/OBSERVERA / NOTA SOBRE UTILIZAÇÃO**

WARNINGS	WARNHINWEISE	AVERTISSEMENTS	AVVERTENZE	ADVERTENCIAS	WAARSCHUWINGEN	VARNINGAR	AVISOS
<ul style="list-style-type: none"> <li>Handle the power cord carefully. Hold the plug when unplugging the cord.</li> <li>Keep the unit free from moisture, water, and dust.</li> <li>Unplug the power cord when not using the unit for long periods of time.</li> <li>Do not obstruct the ventilation holes.</li> <li>Do not let foreign objects into the unit.</li> <li>Do not let insecticides, benzene, and thinner come in contact with the unit.</li> <li>Never disassemble or modify the unit in any way.</li> <li>Ventilation should not be impeded by covering the ventilation openings with items, such as newspapers, tablecloths or curtains.</li> <li>Naked flame sources such as lighted candles should not be placed on the unit.</li> <li>Observe and follow local regulations regarding battery disposal.</li> <li>Do not expose the unit to dripping or splashing fluids.</li> <li>Do not place objects filled with liquids, such as vases, on the unit.</li> <li>Do not handle the mains cord with wet hands.</li> <li>When the switch is in the OFF position, the equipment is not completely switched off from MAINS.</li> <li>The equipment shall be installed near the power supply so that the power supply is easily accessible.</li> <li>Do not keep the battery in a place exposed to direct sunlight or in places with extremely high temperatures, such as near a heater.</li> </ul>	<ul style="list-style-type: none"> <li>Gehen Sie vorsichtig mit dem Netzkabel um. Halten Sie das Kabel am Stecker, wenn Sie den Stecker herausziehen.</li> <li>Halten Sie das Gerät von Feuchtigkeit, Wasser und Staub fern.</li> <li>Decken Sie den Lüftungsbereich nicht ab.</li> <li>Wenn das Gerät längere Zeit nicht verwendet werden soll, trennen Sie das Netzkabel vom Netzstecker.</li> <li>Lassen Sie keine fremden Gegenstände in das Gerät kommen.</li> <li>Lassen Sie das Gerät nicht mit Insektiziden, Benzin oder Verdünnungsmitteln in Berührung kommen.</li> <li>Versuchen Sie niemals das Gerät auseinander zu nehmen oder zu verändern.</li> <li>Die Belüftung sollte auf keinen Fall durch das Abdecken der Belüftungsöffnungen durch Gegenstände wie beispielsweise Zeitungen, Tischtücher, Vorhänge o. Ä. behindert werden.</li> <li>Auf dem Gerät sollten keinerlei direkte Feuerquellen wie beispielsweise angezündete Kerzen aufgestellt werden.</li> <li>Bitte beachten Sie bei der Entsorgung der Batterien die örtlich geltenden Umweltbestimmungen.</li> <li>Das Gerät sollte keiner tropfenden oder spritzenden Flüssigkeit ausgesetzt werden.</li> <li>Auf dem Gerät sollten keine mit Flüssigkeit gefüllten Behälter wie beispielsweise Vasen aufgestellt werden.</li> <li>Das Netzkabel nicht mit feuchten oder nassen Händen anfassen.</li> <li>Wenn der Schalter ausgeschaltet ist (OFF-Position), ist das Gerät nicht vollständig vom Stromnetz (MAINS) abgetrennt.</li> <li>Das Gerät sollte in der Nähe einer Netzsteckdose aufgestellt werden, damit es leicht an das Stromnetz angeschlossen werden kann.</li> <li>Lagern Sie die Batterie nicht an einem Ort, an dem sie direktem Sonnenlicht oder extrem hohen Temperaturen ausgesetzt ist, wie z. B. in der Nähe eines Heizgeräts.</li> </ul>	<ul style="list-style-type: none"> <li>Manipuler le cordon d'alimentation avec précaution. Tenir la prise lors du débranchement du cordon.</li> <li>Protéger l'appareil contre l'humidité, l'eau et la poussière.</li> <li>Débrancher le cordon d'alimentation lorsque l'appareil n'est pas utilisé pendant de longues périodes.</li> <li>Ne pas obstruer les trous d'aération.</li> <li>Ne pas laisser des objets étrangers dans l'appareil.</li> <li>Ne pas mettre en contact des insecticides, du benzène et un diluant avec l'appareil.</li> <li>Ne jamais démonter ou modifier l'appareil d'une manière ou d'une autre.</li> <li>Ne pas recouvrir les orifices de ventilation avec des objets tels que des journaux, nappes ou rideaux. Cela entraverait la ventilation.</li> <li>Ne jamais placer de flamme nue sur l'appareil, notamment des bougies allumées.</li> <li>Veillez à respecter les lois en vigueur lorsque vous jetez les piles usagées.</li> <li>L'appareil ne doit pas être exposé à l'eau ou à l'humidité.</li> <li>Ne pas poser d'objet contenant du liquide, par exemple un vase, sur l'appareil.</li> <li>Ne pas manipuler le cordon d'alimentation avec les mains mouillées.</li> <li>Lorsque l'interrupteur est sur la position OFF, l'appareil n'est pas complètement déconnecté du SECTEUR (MAINS).</li> <li>L'appareil sera installé près de la source d'alimentation, de sorte que cette dernière soit facilement accessible.</li> <li>Ne placez pas la pile dans un endroit exposé à la lumière directe du soleil ou dans des endroits présentant des températures extrêmement élevées, par exemple près d'un radiateur.</li> </ul>	<ul style="list-style-type: none"> <li>Maneggiare il cavo di alimentazione con attenzione. Tenete ferma la spina quando scollegate il cavo dalla presa.</li> <li>Tenete l'unità lontana dall'umidità, dall'acqua e dalla polvere.</li> <li>Scollegate il cavo di alimentazione quando prevedete di non utilizzare l'unità per un lungo periodo di tempo.</li> <li>Non coprite i fori di ventilazione.</li> <li>Non inserite corpi estranei all'interno dell'unità.</li> <li>Assicuratevi che l'unità non entri in contatto con insetticidi, benzolo o solventi.</li> <li>Non smontate né modificate l'unità in alcun modo.</li> <li>Le aperture di ventilazione non devono essere ostruite coprendole con oggetti, quali giornali, tovaglie, tende e così via.</li> <li>Non posizionate sull'unità fiamme libere, come ad esempio candele accese.</li> <li>Prestate attenzione agli aspetti legati alla tutela dell'ambiente nello smaltimento delle batterie.</li> <li>L'apparecchiatura non deve essere esposta a gocciolii o spruzzi.</li> <li>Non posizionate sull'unità alcun oggetto contenente liquidi, come ad esempio i vasi.</li> <li>Non toccare il cavo di alimentazione con le mani bagnate.</li> <li>Quando l'interruttore è nella posizione OFF, l'apparecchiatura non è completamente scollegata da MAINS.</li> <li>L'apparecchio va installato in prossimità della fonte di alimentazione, in modo che quest'ultima sia facilmente accessibile.</li> <li>Non tenere la batteria in luoghi esposti alla luce solare diretta o con temperature estremamente elevate, ad esempio in prossimità di dispositivi di riscaldamento.</li> </ul>	<ul style="list-style-type: none"> <li>Maneje el cordón de energía con cuidado. Sostenga el enchufe cuando desconecte el cordón de energía.</li> <li>Mantenga el equipo libre de humedad, agua y polvo.</li> <li>Desconecte el cordón de energía cuando no utilice el equipo por mucho tiempo.</li> <li>No obstruya los orificios de ventilación.</li> <li>No deje objetos extraños dentro del equipo.</li> <li>No permita el contacto de insecticidas, gasolina y diluyentes con el equipo.</li> <li>Nunca desarme o modifique el equipo de ninguna manera.</li> <li>La ventilación no debe quedar obstruida por haberse cubierto las aperturas con objetos como periódicos, manteles o cortinas.</li> <li>No deberán colocarse sobre el aparato fuentes inflamables sin protección, como velas encendidas.</li> <li>A la hora de deshacerse de las pilas, respete la normativa para el cuidado del medio ambiente.</li> <li>No exponer el aparato al goteo o salpicaduras cuando se utilice.</li> <li>No colocar sobre el aparato objetos llenos de líquido, como jarras.</li> <li>No maneje el cable de alimentación con las manos mojadas.</li> <li>Quando el interruptor está en la posición OFF, el equipo no está completamente desconectado de la alimentación MAINS.</li> <li>El equipo se instalará cerca de la fuente de alimentación de manera que resulte fácil acceder a ella.</li> <li>No coloque las pilas en un lugar expuesto a la luz directa del sol o donde la temperatura sea extremadamente alta, como cerca de una calefacción.</li> </ul>	<ul style="list-style-type: none"> <li>Hanteer het netsnoer voorzichtig. Houd het snoer bij de stekker vast wanneer deze moet worden aan- of losgekoppeld.</li> <li>Laat geen vochtigheid, water of stof in het apparaat binnendringen.</li> <li>Neem altijd het netsnoer uit het stopcontact wanneer het apparaat gedurende een lange periode niet wordt gebruikt.</li> <li>De ventilatieopeningen mogen niet worden beblokkeerd.</li> <li>Laat geen vreemde voorwerpen in dit apparaat vallen.</li> <li>Voorkom dat insecticiden, benzeen of verfdunner met dit toestel in contact komen.</li> <li>Dit toestel mag niet gedemonteerd of aangepast worden.</li> <li>De ventilatie mag niet worden belemmerd door de ventilatieopeningen af te dekken met bijvoorbeeld kranten, een tafelkleed of gordijnen.</li> <li>Plaats geen open vlammen, bijvoorbeeld een brandende kaars, op het apparaat.</li> <li>Houd u steeds aan de milieuvorschriften wanneer u gebruikte batterijen wegdoet.</li> <li>Stel het apparaat niet bloot aan druppels of spatten.</li> <li>Plaats geen voorwerpen gevuld met water, bijvoorbeeld een vaas, op het apparaat.</li> <li>Raak het netsnoer niet met natte handen aan.</li> <li>Als de schakelaar op OFF staat, is het apparaat niet volledig losgekoppeld van de netspanning (MAINS).</li> <li>De apparatuur wordt in de buurt van het stopcontact geïnstalleerd, zodat dit altijd gemakkelijk toegankelijk is.</li> <li>Bewaar de batterijen niet op een plaats waar deze blootstaan aan direct zonlicht of op plaatsen waar zeer hoge temperaturen heersen, zoals in de buurt van een kachel.</li> </ul>	<ul style="list-style-type: none"> <li>Hantera nätkabeln varsamt. Håll i kabeln när den kopplas från el-uttaget.</li> <li>Utsätt inte apparaten för fukt, vatten och damm.</li> <li>Koppla loss nätkabeln om apparaten inte kommer att användas i lång tid.</li> <li>Täpp inte till ventilationsöppningarna.</li> <li>Se till att främmande föremål inte tränger in i apparaten.</li> <li>Se till att inte insektsmedel på spraybruk, bensen och thinner kommer i kontakt med apparatens hölje.</li> <li>Ta inte isär apparaten och försök inte bygga om den.</li> <li>Ventilationen bör inte förhindras genom att täcka för ventilationsöppningarna med föremål såsom tidningar, bordsdukar eller gardiner.</li> <li>Placera inte öppen eld, t.ex. tända ljus, på apparaten.</li> <li>Tänk på miljöaspekterna när du bortskaffar batterier.</li> <li>Apparaten får inte utsättas för vätska.</li> <li>Placera inte föremål fyllda med vätska, t.ex. vaser, på apparaten.</li> <li>Hantera inte nätsladden med våta händer.</li> <li>Även om strömbrytaren står i det avstängda läget OFF, så är utrustningen inte helt bortkopplad från det elektriska nätet (MAINS).</li> <li>Utrustningen ska vara installerad nära strömuttaget så att strömförsörjningen är lätt att tillgå.</li> <li>Förvara inte batteriet på en plats som utsätts för direkt solljus eller på platser med extremt höga temperaturer, som nära ett värmeelement.</li> </ul>	<ul style="list-style-type: none"> <li>Manuseie o cabo de alimentaçãoo com cuidado. Puxe pela ficha quando desligar o cabo de alimentaçãoo.</li> <li>Mantenha a unidade afastada da humidade, da água e do pó.</li> <li>Desligue o cabo de alimentaçãoo quando não estiver a utilizar a unidade por longos períodos de tempo.</li> <li>Não obstrua os orificios de ventilaçãoo.</li> <li>Não deixe objectos estranhos dentro da unidade.</li> <li>Não permita que insecticidas, benzina e diluente entrem em contacto com a unidade.</li> <li>Nunca desmonte ou modifique a unidade de qualquer forma.</li> <li>A ventilação não deve ser obstruída, tapando as aberturas de ventilaçãoo com objectos, como jornais, toalhas ou cortinas.</li> <li>Não devem ser colocadas junto à unidade fontes de chama aberta, como velas acesas.</li> <li>Respeite as regulamentações locais relativas à eliminação de pilhas.</li> <li>Não exponha a unidade a gotejamento ou salpicos de líquidos.</li> <li>Não coloque objectos com líquidos, como jarras, em cima da unidade.</li> <li>Não manuseie o cabo de alimentaçãoo com as mãos molhadas.</li> <li>Quando o interruptor se encontra na posição OFF (STANDBY), o equipamento não está completamente desligado da REDE ELÉCTRICA.</li> <li>O equipamento deve ser instalado junto da fonte de alimentaçãoo, para que a fonte de alimentaçãoo esteja facilmente acessível.</li> <li>Não deixe a pilha num local exposto à luz solar directa ou em locais sujeitos a temperaturas extremamente elevadas, como, por exemplo, junto de um aquecedor.</li> </ul>

Preparations

Operations

Information

**•DECLARATION OF CONFORMITY****(English)**

We declare under our sole responsibility that this product, to which this declaration relates, is in conformity with the following standards:  
EN60065, EN55013, EN55020, EN61000-3-2 and EN61000-3-3.  
Following the provisions of Low Voltage Directive 2006/95/EC and EMC Directive 2004/108/EC, the EC regulation 1275/2008 and its frame work Directive 2009/125/EC for Energy-related Products (ErP).

**•ÜBEREINSTIMMUNGSERKLÄRUNG****(Deutsch)**

Wir erklären unter unserer Verantwortung, daß dieses Produkt, auf das sich diese Erklärung bezieht, den folgenden Standards entspricht:  
EN60065, EN55013, EN55020, EN61000-3-2 und EN61000-3-3.  
Gemäß den Bestimmungen der Niederspannungsrichtlinie 2006/95/EG und EMV Richtlinie 2004/108/EG, der Verordnung (EG) Nr. 1275/2008 der Kommission und deren Rahmenrichtlinie 2009/125/EG zu energieverbrauchsrelevanten Produkten (ErP).

**•DECLARATION DE CONFORMITE****(Français)**

Nous déclarons sous notre seule responsabilité que l'appareil, auquel se réfère cette déclaration, est conforme aux standards suivants:  
EN60065, EN55013, EN55020, EN61000-3-2 et EN61000-3-3.  
Selon la directive 2006/95/EC concernant la basse tension et la directive CEM 2004/108/EC, la réglementation européenne 1275/2008 et la directive 2009/125/EC établissant un cadre de travail applicable aux produits liés à l'énergie (ErP).

**•DICHIARAZIONE DI CONFORMITÀ****(Italiano)**

Dichiariamo con piena responsabilità che questo prodotto, al quale la nostra dichiarazione si riferisce, è conforme alle seguenti normative:  
EN60065, EN55013, EN55020, EN61000-3-2 e EN61000-3-3.  
Facendo seguito alle disposizioni della direttiva sul basso voltaggio 2006/95/EC alla direttiva EMC 2004/108/EC, alla norma EC 1275/2008 e alla relativa legge quadro 2009/125/EC in materia di prodotti alimentati ad energia (ErP).  
QUESTO PRODOTTO E' CONFORME  
AL D.M. 28/08/95 N. 548

**•DECLARACIÓN DE CONFORMIDAD****(Español)**

Declaramos bajo nuestra exclusiva responsabilidad que este producto al que hace referencia esta declaración, está conforme con los siguientes estándares:  
EN60065, EN55013, EN55020, EN61000-3-2 y EN61000-3-3.  
De acuerdo con la directiva sobre baja tensión 2006/95/CE y la directiva sobre CEM 2004/108/CE, la normativa CE 1275/2008 y su directiva marco 2009/125/EC para productos relacionados con la energía (ErP).

**•EENVORMIGHEIDSVERKLARING****(Nederlands)**

Wij verklaren uitsluitend op onze verantwoordelijkheid dat dit product, waarop deze verklaring betrekking heeft, in overeenstemming is met de volgende normen:  
EN60065, EN55013, EN55020, EN61000-3-2 en EN61000-3-3.  
Volgens de voorzieningen van lage spanningsrichtlijn 2006/95/EC en EMC-richtlijn 2004/108/EC, de EU-richtlijn 1275/2008 en de kaderrichtlijn 2009/125/EC voor energieverbruikende producten (ErP).

**•ÖVERENSSTÄMMELSEINTYG****(Svenska)**

Härmed intygas helt på eget ansvar att denna produkt, vilken detta intyg avser, uppfyller följande standarder:  
EN60065, EN55013, EN55020, EN61000-3-2 och EN61000-3-3.  
Uppfyller reglerna i lågspänningsdirektivet 2006/95/EC och EMC-direktivet 2004/108/EC, EU-förordningen 1275/2008 och ramverksdirektivet 2009/125/EC för energirelaterade produkter (ErP).

**•DECLARAÇÃO DE CONFORMIDADE****(Português)**

Declaramos sob nossa exclusiva responsabilidade que este produto, ao qual se refere esta declaração, se encontra em conformidade com as seguintes normas:  
EN60065, EN55013, EN55020, EN61000-3-2 e EN61000-3-3.  
De acordo com as provisões da Directiva de Baixa Tensão 2006/95/CE e a Directiva CEM 2004/108/CE, o Regulamento (CE) 1275/2008 e a respectiva Directiva-Quadro 2009/125/CE para produtos relacionados com o consumo de energia (ErP).

**D&M Professional Europe**  
**A division of D&M Europe B.V.**  
**Beemdstraat 11**  
**5653 MA Eindhoven**  
**The Netherlands**

**CAUTION:****(English)**

To completely disconnect this product from the mains, disconnect the plug from the wall socket outlet. The mains plug is used to completely interrupt the power supply to the unit and must be within easy access by the user..  
Do not expose batteries to excessive heat such as sunshine, fire or the like.

**VORSICHT:****(Deutsch)**

Um dieses Gerät vollständig von der Stromversorgung abzutrennen, trennen Sie bitte den Netzstecker von der Wandsteckdose ab.  
Die Hauptstecker werden verwendet, um die Stromversorgung zum Gerät völlig zu unterbrechen; er muss für den Benutzer gut und einfach zu erreichen sein.  
Setzen Sie Batterien nicht übermäßiger Wärme aus, z. B. Sonnenstrahlung, Feuer oder dergleichen.

**PRECAUTION:****(Français)**

Pour déconnecter complètement ce produit du courant secteur, débranchez la prise de la prise murale.

La prise secteur est utilisée pour couper complètement l'alimentation de l'appareil et l'utilisateur doit pouvoir y accéder facilement.

N'exposez pas les batteries à une chaleur excessive telle que le soleil, le feu ou autre.

**ATTENZIONE:****(Italiano)**

Per scollegare definitivamente questo prodotto dalla rete di alimentazione elettrica, togliere la spina dalla relativa presa.

La spina di rete viene utilizzata per interrompere completamente l'alimentazione all'unità e deve essere facilmente accessibile all'utente.

Non esporre le batterie a un calore eccessivo, per esempio al sole, al fuoco o altre fonti.

**PRECAUCIÓN:****(Español)**

Para desconectar completamente este producto de la alimentación eléctrica, desconecte el enchufe del enchufe de la pared.

El enchufe de la alimentación se utiliza para interrumpir por completo el suministro de alimentación a la unidad y debe de encontrarse en un lugar al que el usuario tenga fácil acceso.

No exponga las pilas a calor excesivo, como a la luz solar, el fuego, etc.

**VOORZICHTIGHEID:****(Nederlands)**

Om de voeding van dit product volledig te onderbreken moet de stekker uit het stopcontact worden getrokken.

De netstekker wordt gebruikt om de stroomtoevoer naar het toestel volledig te onderbreken en moet voor de gebruiker gemakkelijk bereikbaar zijn.

Stel de batterijen niet bloot aan felle zonneschijn, brand, enzovoorts.

**FÖRSIKTIHETSMÅTT:****(Svenska)**

Koppla loss stickproppen från eluttaget för att helt skilja produkten från nätet.

Stickproppen används för att helt bryta strömförsörjningen till apparaten, och den måste vara lättillgänglig för användaren.

Utsätt inte batterierna för stark hetta såsom solsken, eld eller liknande.

**ATENÇÃO:****(Português)**

Para desligar completamente este produto da corrente, desligue a ficha da tomada eléctrica.

A ficha eléctrica é utilizada para interromper completamente a alimentação da unidade e deve estar num local onde o utilizador lhe possa aceder facilmente.

Não exponha as pilhas a fontes de calor excessivo, como luz solar, fogo ou semelhantes.

**A NOTE ABOUT RECYCLING:**

This product's packaging materials are recyclable and can be reused. Please dispose of any materials in accordance with the local recycling regulations.  
When discarding the unit, comply with local rules or regulations.  
Batteries should never be thrown away or incinerated but disposed of in accordance with the local regulations concerning battery disposal.  
This product and the supplied accessories, excluding the batteries, constitute the applicable product according to the WEEE directive.

**HINWEIS ZUM RECYCLING:**

Das Verpackungsmaterial dieses Produktes ist zum Recyceln geeignet und kann wieder verwendet werden. Bitte entsorgen Sie alle Materialien entsprechend der örtlichen Recycling-Vorschriften.  
Beachten Sie bei der Entsorgung des Gerätes die örtlichen Vorschriften und Bestimmungen.  
Die Batterien dürfen nicht in den Hausmüll geworfen oder verbrannt werden; bitte entsorgen Sie die Batterien gemäß der örtlichen Vorschriften.  
Dieses Produkt und das im Lieferumfang enthaltene Zubehör (mit Ausnahme der Batterien!) entsprechen der WEEE-Direktive.

**UNE REMARQUE CONCERNANT LE RECYCLAGE:**

Les matériaux d'emballage de ce produit sont recyclables et peuvent être réutilisés. Veuillez disposer des matériaux conformément aux lois sur le recyclage en vigueur.  
Lorsque vous mettez cet appareil au rebut, respectez les lois ou réglementations en vigueur.  
Les piles ne doivent jamais être jetées ou incinérées, mais mises au rebut conformément aux lois en vigueur sur la mise au rebut des piles.  
Ce produit et les accessoires inclus, à l'exception des piles, sont des produits conformes à la directive DEEE.

**NOTA RELATIVA AL RICICLAGGIO:**

I materiali di imballaggio di questo prodotto sono riutilizzabili e riciclabili. Smettere i materiali conformemente alle normative locali sul riciclaggio.  
Per lo smaltimento dell'unità, osservare le normative o le leggi locali in vigore.  
Non gettare le batterie, né incenerirle, ma smaltirle conformemente alla normativa locale sui rifiuti chimici.  
Questo prodotto e gli accessori inclusi nell'imballaggio sono applicabili alla direttiva RAEE, ad eccezione delle batterie.

**ACERCA DEL RECICLAJE:**

Los materiales de embalaje de este producto son reciclables y se pueden volver a utilizar. Disponga de estos materiales siguiendo los reglamentos de reciclaje de su localidad.  
Cuando se deshaga de la unidad, cumpla con las reglas o reglamentos locales.  
Las pilas nunca deberán tirarse ni incinerarse. Deberá disponer de ellas siguiendo los reglamentos de su localidad relacionados con los desperdicios químicos.  
Este producto junto con los accesorios empacquetados es el producto aplicable a la directiva RAEE excepto pilas.

**EEN AANTEKENING MET BETREKKING TOT DE RECYCLING:**

Het inpakmateriaal van dit product is recycleerbaar en kan opnieuw gebruikt worden. Er wordt verzocht om zich van elk afvalmateriaal te ontdoen volgens de plaatselijke voorschriften.  
Volg voor het wegdoen van de speler de voorschriften voor de verwijdering van wit- en bruingoed op.  
Batterijen mogen nooit worden weggegooid of verbrand, maar moeten volgens de plaatselijke voorschriften betreffende chemisch afval worden verwijderd.  
Op dit product en de meegeleverde accessoires, m.u.v. de batterijen is de richtlijn voor afgedankte elektrische en elektronische apparaten (WEEE) van toepassing.

**OBSERVERA ANGÅENDE ÅTERVINNING:**

Produktens emballage är återvinningsbart och kan återanvändas. Kassera det enligt lokala återvinningsbestämmelser.  
När du kasserar enheten ska du göra det i överensstämmelse med lokala regler och bestämmelser.  
Batterier får absolut inte kastas i soporna eller brännas. Kassera dem enligt lokala bestämmelser för kemiskt avfall.  
Denna apparat och de tillbehör som levereras med den uppfyller gällande WEEE-direktiv, med undantag av batterierna.

**UMA NOTA SOBRE A RECICLAGEM:**

Os materiais de embalagem deste produto são recicláveis e podem ser reutilizados. Elimine quaisquer materiais de acordo com as normas de reciclagem locais.  
Quando eliminar a unidade, obedeça às regras ou normas locais.  
As pilhas nunca devem ser deitadas fora ou incineradas, mas sim eliminadas de acordo com as normas locais relativas aos resíduos químicos.  
Este produto e os respectivos acessórios embalados em conjunto constituem o produto aplicável de acordo com a directiva WEEE, excepto as pilhas.

**Pb**

# Getting started

Thank you for purchasing this DENON product. To ensure proper operation, please read this owner's manual carefully before using the product. After reading them, be sure to keep them for future reference.

## Contents

<b>Getting started</b> .....	<a href="#">1</a>
Accessories .....	<a href="#">1</a>
Features .....	<a href="#">2</a>
Cautions on handling .....	<a href="#">2</a>

## Preparations

<b>Connections</b> .....	<a href="#">4</a>
Cables used for connections .....	<a href="#">4</a>
Connecting a 2-channel audio amplifier .....	<a href="#">4</a>
Connecting to a digital audio device .....	<a href="#">4</a>
Connecting an iPod .....	<a href="#">5</a>
Connecting the power cord .....	<a href="#">7</a>

## Operations

<b>Playback</b> .....	<a href="#">9</a>
Turning the power on .....	<a href="#">9</a>
Playing CD .....	<a href="#">10</a>
Playback of MP3 and WAV files .....	<a href="#">12</a>
Operations enabled during playback .....	<a href="#">13</a>
Playback iPod® .....	<a href="#">16</a>
Additional functions on the main unit .....	<a href="#">17</a>
Menu map .....	<a href="#">18</a>

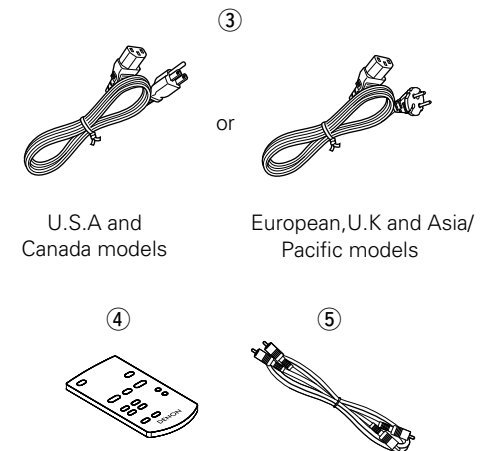
## Information

<b>Part names and functions</b> .....	<a href="#">20</a>
Front panel .....	<a href="#">20</a>
Display .....	<a href="#">21</a>
Rear panel .....	<a href="#">21</a>
Remote control unit .....	<a href="#">22</a>
<b>Other information</b> .....	<a href="#">24</a>
Playable media .....	<a href="#">24</a>
Cautions on using media .....	<a href="#">26</a>
Explanation of terms .....	<a href="#">27</a>
<b>Troubleshooting</b> .....	<a href="#">28</a>
<b>Specifications</b> .....	<a href="#">28</a>
<b>Warranty</b> .....	<a href="#">30</a>

## Accessories

Check that the following parts are supplied with the product.

① BOOK (Owner's manual) .....	1
② CD-ROM (Owner's manual) .....	1
③ Power cord (For use with this unit only) .....	1
④ Remote control unit (RC-1176) .....	1
⑤ Audio cable .....	1



## Features

### CD (CD-DA) and WAV, MP3 playback

### iPod dock

Equipped with an iPod dock, which enables direct connecting and sound output and control of iPod. Charger function is included as well as iPhone support.

### Pitch control (CD) function

Pitch can be adjusted by 0.1% up to  $\pm 16\%$ .

### Master key control

Changes the tempo without changing the pitch.

### Direct track selection using 0 – 9 buttons

Discrete numbered buttons for quick track selection.

### Automatic BPM counter and BPM display

Numerical indication for current playback pitch.

### Auxiliary input

Equipped with a stereo mini type connector for audio line input. Supports audio input from portable audio devices other than iPod.

## Cautions on handling

### • Before turning the power on

Check once again that all connections are correct and that there are no problems with the connection cables.

- Power is supplied to some of the circuitry even when the unit is set to the standby mode. When the unit will not be used for long periods of time, the power cord should be removed from the power outlet.

### • Proper ventilation

If the unit is left in a room which is not properly ventilated and is full of smoke from cigarettes or another source for long periods of time, the surface of the optical pickup may get dirty, causing incorrect operation.

### • About condensation

If there is a major difference in temperature between the inside of the unit and the surroundings, condensation (dew) may form on the operating parts inside the unit, causing the unit not to operate properly.

If this happens, let the unit sit for an hour or two with the power turned off and wait until there is little difference in temperature before using the unit.

### • Cautions on using mobile phones

Using a mobile phone near this unit may result in noise. If that occurs, move the mobile phone away from this unit when it is in use.

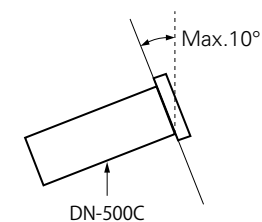
### • Moving the unit

Turn off the power and unplug the power cord from the power outlet. Next, disconnect the connection cables to other system units before moving the unit.

### • About care

- Wipe the cabinet and control panel clean with a soft cloth.
- Follow the instructions when using a chemical cleaner.
- Benzene, paint thinner or other organic solvents as well as insecticide may cause material changes and discoloration if brought into contact with the unit, and should therefore not be used.

The DN-500C will work normally when the player unit is mounted within 10 degrees off the vertical plane at the front panel. If the unit is tilted excessively, the disc may not be loaded or unloaded properly.





# Preparations

---

Here, we explain the connections and setup methods for this unit.

● **Connections**  [page 4](#)

# Connections

Connections for all compatible audio signal formats are described in this owner's manual. Please select the type of connections corresponding to the equipment you are connecting.

## NOTE

- Do not plug in the power cord until all connections have been completed.
- When making connections, also refer to the owner's manual of the other components.
- Be sure to connect the left and right channels properly (left with left, right with right).
- Do not bundle power cords together with connection cables. Doing so can result in humming or noise.

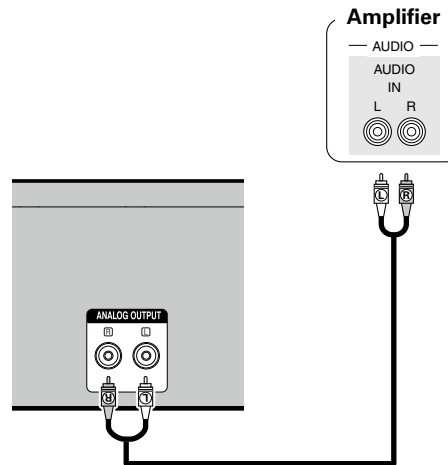
## Cables used for connections

Select the cables according to the equipment being connected.

Audio cable (supplied)	
Audio cable	
Audio cable (sold separately)	
Coaxial cable	

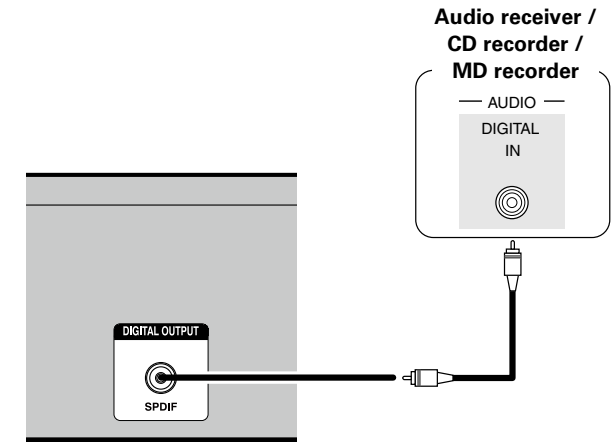
## Connecting a 2-channel audio amplifier

This connection is for playback of audio of this unit, using a 2-channel audio device.



## Connecting to a digital audio device

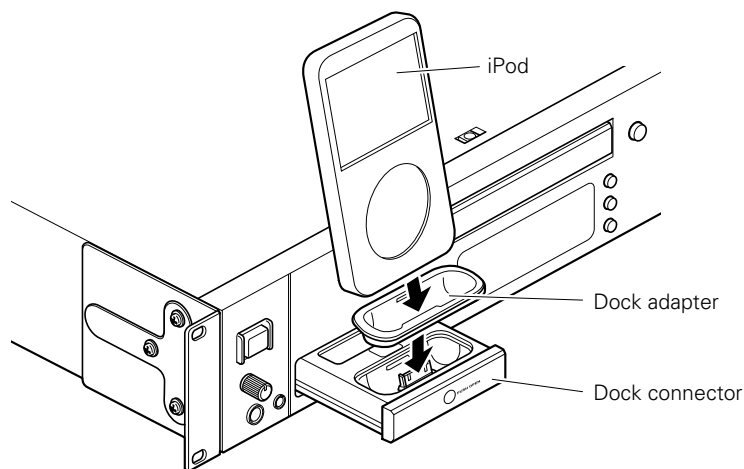
This connection is for recording audio from this unit, using an audio device with coaxial digital audio input connectors.



## Connecting an iPod

- You can enjoy music stored on an iPod.
- For operating instructions see "Playback iPod®" (page 16).

- 1 Turn the power on** (page 9).
- 2 Press PUSH OPEN to open the iPod DOCK.**
- 3 Connect an iPod to the connector of the iPod DOCK.**  
Use a commercially available dock adapter (sold separately), if necessary.



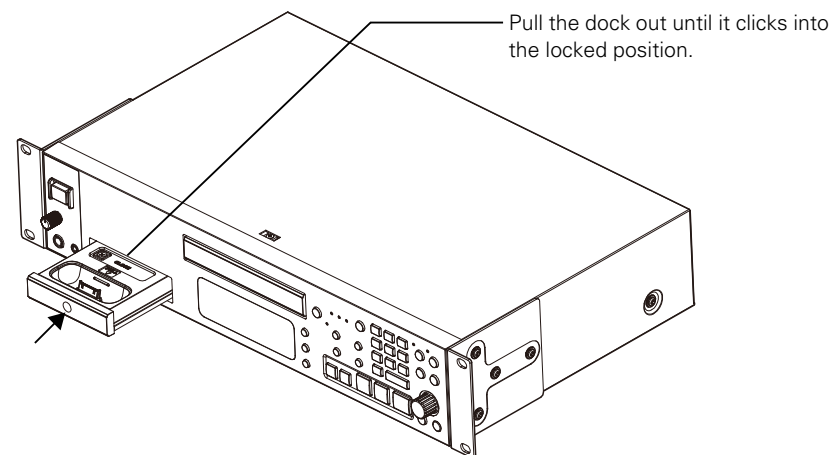
When an iPod is connected to this unit's iPod dock, it will be recharged whenever this unit's power is ON. When the iPod is completely charged, the unit stops charging. When the unit's power is OFF, it does not charge connected iPods.

### NOTE

- When an iPod is inserted into this unit's iPod dock, the top of the iPod is higher than the top of the unit. Leave 10cm or more space open about the unit to prevent interference with devices installed above it.
- This unit is compatible with iPod's equipped with fourth generation or later Dock connectors.
- iPod shuffles do not have dock connectors, so they cannot be used with the dock. They can, however, be connected using the AUX IN jack (page 17, "Importing sounds from the external equipment").
- Always remove any case from an iPod before connecting it. Connecting with a case on might prevent complete connection and proper operation and playback.
- Always use an adapter that is suitable for the iPod that you are using. The use of an unsuitable adapter could damage the connectors of both devices.

## Opening the iPod dock

Press the center of the iPod dock, where it says "PUSH OPEN" to open the dock, and then pull it out. Pull the iPod dock completely out until it locks into place before using it.

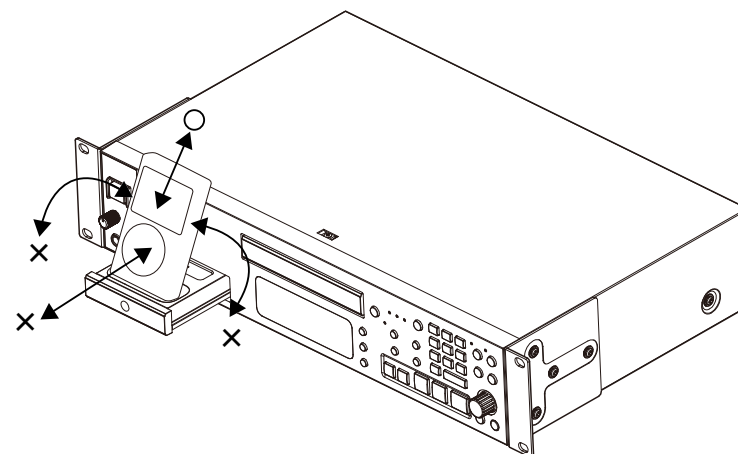


### NOTE

- Do not move the iPod dock left, right, up or down when it is pulled out.
- Do not place anything other than an iPod on the iPod dock when it is pulled out.

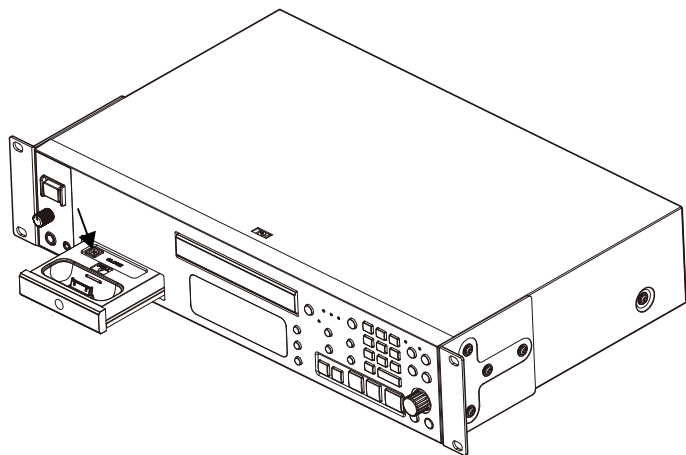
## Removing the iPod

- Before connecting or disconnecting an iPod, set the output source to CD or AUX (not iPod), or turn the CD player's power OFF.
- When connecting and disconnecting an iPod, align it with the dock connector and proceed gently to prevent putting pressure on the dock connector.



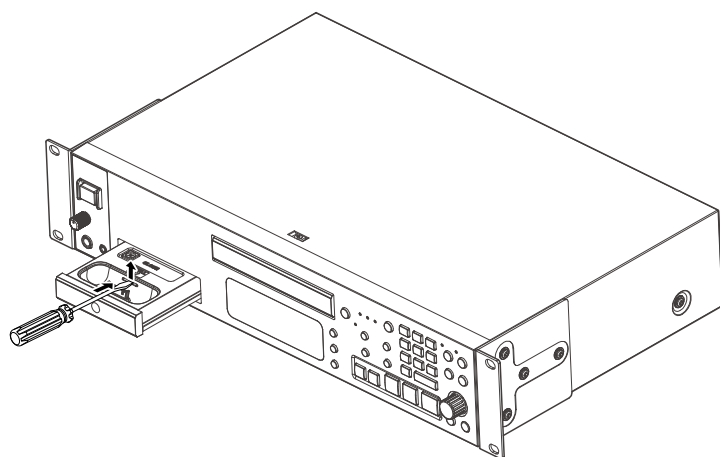
### Closing the iPod dock

Remove the iPod, and then press the panel while pressing and holding the **CLOSE** button.



### Removing a dock adapter

As shown in the illustration below, insert a flathead screwdriver into the hole in the dock adapter and then use the driver to remove the adapter.



### Supported iPod models

• iPod classic



iPod classic  
80GB

• iPod nano



iPod nano  
3rd generation  
(video)  
4GB 8GB



iPod nano  
4th generation (video)  
8GB 16GB



iPod nano  
5th generation (video camera)  
8GB 16GB



iPod nano  
6th generation  
8GB 16GB

• iPod touch



iPod touch  
3rd generation  
32GB 64GB



iPod touch  
4th generation  
8GB 32GB 64GB

• iPhone



iPhone 3GS  
8GB 16GB 32GB



iPhone 4  
8GB 16GB 32GB



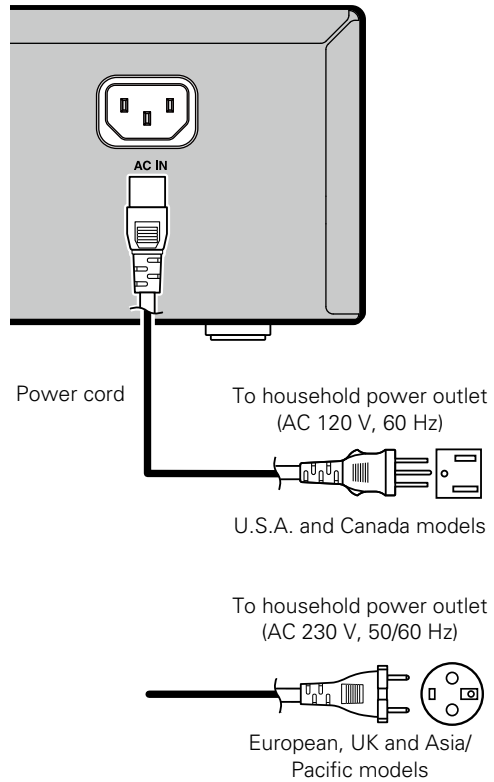
iPhone 4S  
16GB 32GB 64GB

**NOTE**

- When removing the dock adapter, use a hand to hold the iPod dock in place.
- Do not move the iPod dock left, right, up or down when it is pulled out.
- Before closing the iPod dock, remove the dock adapter. Failure to do so may result in malfunction.

## Connecting the power cord

After completing all the connections, insert the power plug into the power outlet.



### NOTE

- **Do not plug in the power cord until all connections have been completed.**
- Insert the plugs securely. Loose connections will result in the generation of noise.
- Do not unplug the power cord while the unit is operating.

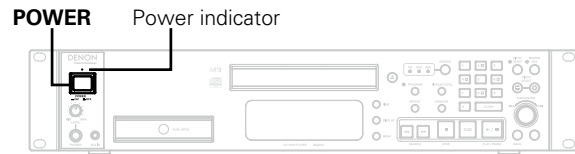
# Operations

Here, we explain functions and operations that let you make better use of this unit.

● Playback  [page 9](#)

## Turning the power on

Before using the remote control unit, insert a battery (see [page 23](#), "Installing the battery").



### Press **POWER** to turn on power to the unit.

The power indicator lights green and the power turns on.

- "NO DISC" message is displayed if a disc is not loaded.

## Switching to standby mode

### Press **POWER** on the remote control unit.

The power is set to the standby mode.

#### **[Power indicator status]**

Standby : Red

### Turning the power off

#### Press **POWER** to turn off power to the unit.

The power indicator turns off, and so does the power.



- Be sure to stop playback before turning the power off.
- Make sure that the disc tray and the iPod DOCK are completely shut before turning off the power.

#### **NOTE**

Power continues to be supplied to some of the circuitry even when the power is in the standby mode. When the unit will not be used for long periods of time, the power cord should be removed from the power outlet.

### Turning the power on when in standby from this unit

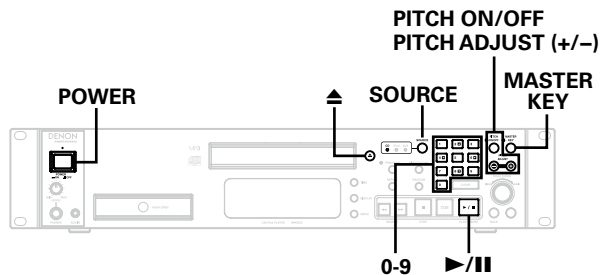
**1** Press **POWER** to turn off power to the unit.  
The power indicator turns off, and so does the power.

**2** Press and hold **SOURCE** and press **POWER** to turn the power on.  
The power indicator lights green and the power turns on.

### Turning the power on when in standby from the remote control unit

**1** Press **POWER** on the remote control unit.  
The power indicator lights green and the power turns on.  
• "NO DISC" message is displayed if a disc is not loaded.

# Playing CD



- 1 Press POWER to turn on power to the unit.**
- 2 Press SOURCE until the source indicator for “CD” is lit.**
- 3 Press ▲ to open the disc tray and insert the disc.**
- 4 Press ►/II.**  
The ► indicator lights.
  - The disc tray closes and playback starts.

### NOTE

- Do not place any foreign objects in the disc tray. Doing so could damage it.
- The CD tray automatically will close in approximately 30 seconds.

### □ Playing a specific track

Press **0 – 9** to select the track.

**[Example]** : Track 4 : Press **4**.

**[Example]** : Track 12 : Press **1** and **2** in succession (within about 0.5 seconds).

### □ Adjusting the playback tempo

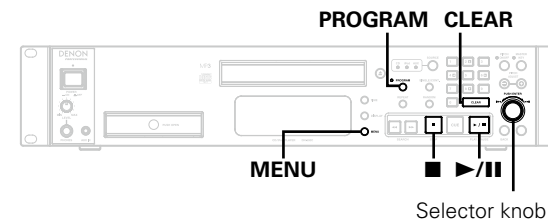
- 1 Press PITCH ON/OFF.**  
The LED indicator lights.
- 2 Press PITCH ADJUST (+/-).**
  - +: Faster
  - : Slower
  - Up to ±16% can be adjusted by ±0.1%.
  - When you press **PITCH ADJUST(+)** and **(-)** at the same time, the percentage is reset to zero and the playback tempo returns to the original speed.

### Keeping the original key in pitch-adjusted playback

Press **MASTER KEY** to turn on the indicator.



The display shows the pitch in BPM (beats per minute). If you do not want to display it, change “BPM Disp” in menu items ([page 18](#)) to “Off”.



### □ Using the track end notice function (EOM: End Of Message)

This function flashes the time bar in the display to inform you that the current track is drawing to an end. This function can be turned on or off and the duration of flashing can be set in the following steps.

- 1 Press MENU.**
- 2 Turn the selector knob to select “EOM”, then press the selector knob.**
- 3 Turn the selector knob to select the item (Off / 10 / 15 / 20 / 30 / 60 / 90).**
  - To disable this function, select “Off”.
- 4 Press the selector knob to enter your selection.**
- 5 Press MENU to exit.**



## Playing tracks in a specific order (Program playback)

Up to 99 tracks and folders can be programmed.

- 1** Press **■** to stop playback.
- 2** Press **PROGRAM**.  
The orange LED indicator flashes.
- 3** Turn the selector knob to select the desired track, then press the selector knob.
- 4** Repeat step 3 to add more tracks to the program.
- 5** Press **PROGRAM**.  
The orange LED indicator stops flashing and lights.
- 6** Press **▶/||**.  
Playback starts in the programmed order.



- When **PROGRAM** is pressed and held, the program mode can be cancelled.

### Editing the program

- 1** In the stop mode, press **PROGRAM**.  
The orange LED indicator blinks, and "LIST EDIT" is displayed for 1 second.
- 2** Turn the jog dial to select a track before which you want to insert a track, and press the jog dial to confirm the selection.  
"INS SELECT" is displayed.
  - To delete the track, press **CLEAR**.
- 3** Turn the jog dial to select a track you want to insert, and press the jog dial to confirm the selection.
  - The selected track is inserted before the track selected in step 2.
- 4** Repeat steps 2 and 3 to continue to edit the program.

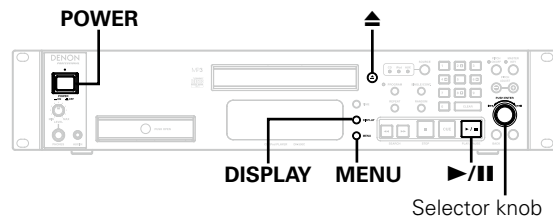


When **REPEAT** is pressed during program playback, the tracks are played repeatedly in the programmed order.

### Operations enabled during playback

( [page 13](#))

# Playback of MP3 and WAV files



There are many music distribution sites on the Internet allowing you to download music files in MP3 or WAV formats. The music (files) downloaded from such sites can be stored on CD-R or CD-RW discs and played on the unit.

## Playing MP3 and WAV files

- 1** Press **POWER** to turn on power to the unit.
- 2** Load a CD-R or CD-RW disc containing music files in the MP3 or WAV formats into the disc tray.
- 3** Select the playback range in the following steps.
  - ① Press **MENU**.
  - ② Turn the selector knob to select "Play Range", then press the selector knob.
  - ③ Turn the selector knob to select "Folder." or "All".
    - **Folder.**  
All the files in the current folder are played. The "FOLDER" indicator lights.
    - **All**  
Current folder or file is played, then all the files in all the folders are played. The "FOLDER" indicator turns off.
  - ④ Press the selector knob to enter your selection.
  - ⑤ Press **MENU** to exit.
- 4** Turn the selector knob while pressing to select the folder to be played.

**5** Turn the selector knob to select the file to be played.

**6** Press **▶/||**. Playback starts.



• **◀◀, ▶▶** and **ENTER** on the remote control can be used to select the file instead of the selector knob on the main unit.

### NOTE

- Copyright-protected files cannot be played. ("Not Support" is displayed.)
- Depending on the software used for burning and other conditions, some files may not play or display correctly.

### ❑ Switching the folder or file during playback

Turn the selector knob while pressing to select the folder (or file), and then press the selector knob.  
Files can also be selected by specifying the file number using **0-9** or **◀◀, ▶▶** on the remote control unit.

- The file numbers are set automatically when the disc is loaded.

### ❑ Switching the display

During playback, press **DISPLAY**.



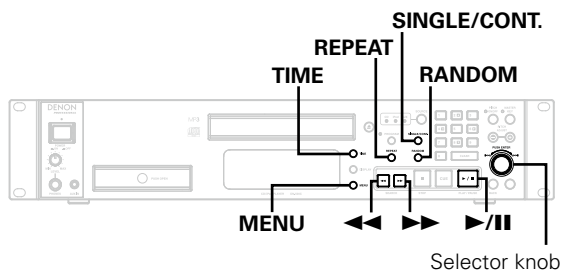
- The player can display the following characters:

**ABCDEFGHIJKLMNOPQRSTUVWXYZ**  
**abcdefghijklmnopqrstuvwxyz**  
**0123456789**  
**! " # \$ % & ; : < > ? @ [ ] \_ ` | { } ~ ^ ' ( ) \* + , - . / = (space)**

### ❑ Operations enabled during playback

(👉 [page 13](#))

# Operations enabled during playback



## Pausing playback

Press ►/|| during playback.

The || indicator lights.

- To resume playback, press ►/||.

## Stopping playback

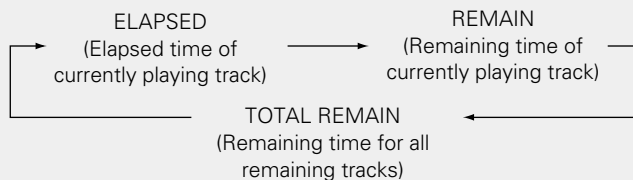
Press ■ during playback.

Playback stops.

## Selecting the time indicator

There are 3 methods of indicating time

Press **TIME** repeatedly to select the indication type.



To have the DN-500C select your preferred settings at power up, see [page 18](#).

## Selecting a track

During playback, turn the selector knob.

- A track can also be selected by pressing the ◀◀ and ▶▶ on the remote control unit. (When ◀◀ is pressed once the playback will return to the beginning of the current track.)

## Fast-forwarding and Fast-reversing (searching)

During playback, press ◀◀ or ▶▶.

## Setting whether or not to output audio during fast-forwarding/fast-reversing (Search mode)

**1** Press MENU.

**2** Turn the selector knob to select “Search Mode”, then press the selector knob.

**3** Turn the selector knob to select “Normal” or “Silent”.

## Playing one track only

Press **SINGLE/CONT.** to turn on the “SINGLE” indicator.

- To resume continuous playback, press SINGLE/CONT. to turn off the SINGLE indicator.



To have the DN-500C select your preferred settings at power up, see [page 18](#).

## Playing repeatedly (Repeat playback)

Press **REPEAT** to turn on the “REPEAT” indicator.

- The player repeats playback according to the current settings.
- While the “FOLDER” indicator blinks, only the files in the current folder are played repeatedly.
- To resume playback, press **REPEAT** to turn off the “REPEAT” indicator.

## Playing in random order (Random playback)

**1** In the stop mode, press **RANDOM**.  
The “RANDOM” indicator lights.

**2** Press ►/||.  
The tracks start playing in random order.

### Resuming normal playback

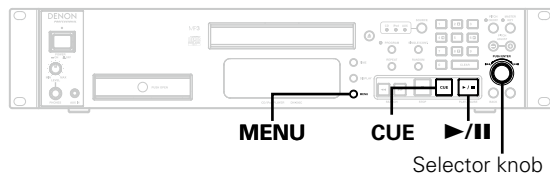
In the stop mode, press **RANDOM**.  
The “RANDOM” indicator turns off.



When **REPEAT** is pressed during random playback, the tracks are played in a different random order after this turn.

**NOTE**

Direct searching is not possible during random playback.



## Reserving a track to play next

During playback, the next track can be selected by the selector knob to set the selected track into standby. When the current track is finished, the reserved track automatically starts.

To activate this function, make the setting below.

- 1** Press **MENU**.
- 2** Turn the selector knob to select “NextReserv.”, then press the selector knob.
- 3** Turn the selector knob to select “On”, then press the selector knob.
  - To disable this function, select “OFF”.
- 4** Press **MENU** to exit.



This function is available regardless of “FinishMode” setting (see [page 15](#)).

## Starting playback from a specified position (Cue function)

You can specify a certain position and start playback there. To use this function, set a position (cue point) first.

### □ Setting a cue point

- 1** At a position from where you want to start playback next, press **▶/||** to set the player in the pause mode.
- 2** Press **◀◀** or **▶▶** to fine-tune the position.
- 3** Press **CUE**.  
The CUE indicator lights.  
The position is memorized as a cue point.

### □ Starting from the cue point

- 1** Set a cue point beforehand. (Make sure the CUE indicator lights.)
- 2** During playback, press **CUE**.  
Playback stops.
- 3** Press **▶/||**.  
Playback starts from the cue point.

## Skipping a silent section automatically (Auto Cue)

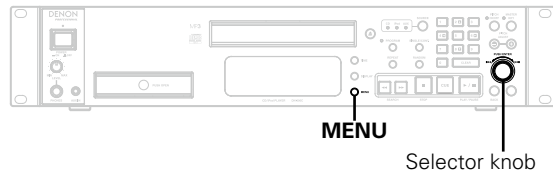
Some tracks may have an introduction with very weak sound level. The Auto Cue function automatically skips such a silent section to search the first point that exceeds  $-40\text{dBFS}$  within 20 seconds from the beginning of a track. By activating this function, each track can be accessed with a silent section skipped.

To use this function, make the following setting.

- ① Press **MENU**.
- ② Turn the selector knob to select “Auto Cue”, then press the selector knob.
- ③ Turn the selector knob to select “On”.  
If you do not want to skip a silent section, select “Off”.
- ④ Press the selector knob to enter your selection.
- ⑤ Press **MENU** to exit.

### NOTE

This function is not available for VBR MP3 files.



## Selecting the standby position after playback stop

The player can automatically locate a certain position and set itself in standby when finishing or stopping a track. Two standby positions are available; the next track or the cue point.

To use the playback standby function, make the following setting beforehand to select the standby position.

- 1 Press MENU.**
- 2 Turn the selector knob to select “FinishMode”, then press the selector knob.**
- 3 Turn the selector knob to select the location to standby, then press the selector knob.**  
Next: Beginning of the next track.  
Recue: Cue point.
  - When you do not use playback standby function, select “Stop”.
- 4 Press MENU to exit.**



The next track reservation ([page 14](#)) is available regardless of this setting.

## Playback iPod®

With the unit you can listen to music on an iPod and you can also operate the iPod with the main unit or the remote control unit.

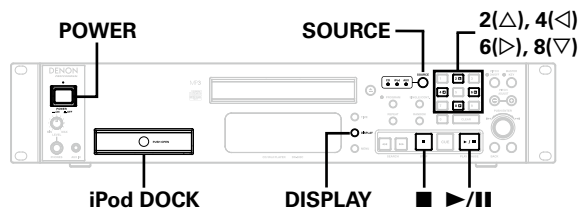


“Made for iPod” and “Made for iPhone” mean that an electronic accessory has been designed to connect specifically to iPod or iPhone, respectively, and has been certified by the developer to meet Apple performance standards.

Apple is not responsible for the operation of this device or its compliance with safety and regulatory standards. Please note that the use of this accessory with iPod or iPhone may affect wireless performance.

iPhone, iPod, iPod classic, iPod nano, iPod shuffle, and iPod touch are trademarks of Apple Inc., registered in the U.S. and other countries.

- The iPod may only be used to copy or play contents that are not copyrighted or contents for which copying or playback is legally permitted for your private use as an individual. Be sure to comply with applicable copyright laws.



## Playing iPod®

- 1 Press **POWER** to turn on power to the unit.
- 2 Open the **iPod DOCK** and connect an iPod. (👉 [page 5](#))
- 3 Press **SOURCE** to turn on the source indicator “iPod”.
- 4 Press **2 (Δ), 4 (◀), 6 (▶), 8 (▽)** to select the music file to be played.

## Disconnecting the iPod

- 1 Press **■**.
- 2 Remove the iPod from the iPod DOCK.

## About "DENON Professional Pitch Control" iPhone Application

This application changes the playback speed for music files within iPhone/iPod touch.

It is also possible to change the playback speed without changing the musical interval.

Furthermore, by connecting iPhone/iPod touch that has “DENON Professional Pitch Control” iPhone Application installed to one of Denon’s supported units, it is possible to perform operations such as playback, pause and playback speed change through the unit or IR remote control unit.

To use this application, download “DENON Professional Pitch Control” iPhone Application (free of charge) from App Store on iTunes.

### NOTE

When using iPhone, playback may be stopped during application startup if a call comes in. It is recommended to set iPhone to Airplane Mode.

## Remote control unit and iPod button relations

Main unit buttons	Remote control unit buttons	iPod buttons	Operation on the main unit
▶/II	▶/II	▶II	Plays the track • Play/Pause in remote mode
<b>Selector knob</b>	<b>ENTER, BACK</b>	◀◀, ▶▶	Plays the track from the beginning / Plays the next track
◀◀, ▶▶	◀◀, ▶▶ (Press and hold)	◀◀, ▶▶ (Press and hold)	Fast-reverses the track / Fast-forwards the track
2 (Δ), 4 (◀), 6 (▶), 8 (▽)	<b>ENTER, BACK, PITCH +, -</b>	Click Wheel	Selects an item
<b>MENU</b>	-	<b>MENU</b>	Displays the menu
◀◀	<b>BACK</b>	<b>MENU</b>	Returns to the previous menu
<b>Selector knob</b>	◀◀, ▶▶ <b>ENTER</b>	Select	Enters the selection or plays the track
<b>RANDOM</b>	-	-	Switches the shuffle function
<b>REPEAT</b>	-	-	Switches the repeat function

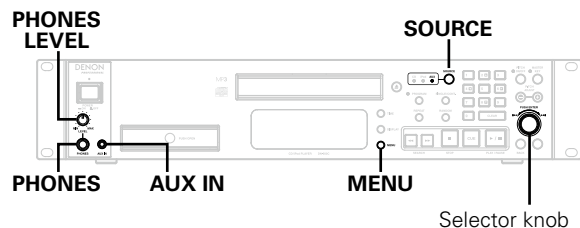
## Operations enabled during playback

(👉 [page 13](#))

### NOTE

- DENON will accept no responsibility whatsoever for any loss of iPod data.
- Depending on the type of iPod and the software version, some functions may not operate.
- During shuffle playback within an album, the “RANDOM” indicator flashes.

## Additional functions on the main unit



### Dimming the display's brightness

- 1 In the stop mode, press **MENU**.
- 2 Turn the selector knob to select "Dimmer", then press the selector knob.
- 3 Turn the selector knob to select "On", then press the selector knob.
  - To set the brightness to normal, select "Off".
- 4 Press **MENU** to exit.

### Listening with headphones

Plug the headphones (sold separately) into the PHONES jack.

#### Adjusting the volume

Turn **PHONES LEVEL** on the unit.

#### NOTE

To prevent hearing loss, do not raise volume level excessively when using headphones.

### Disabling the remote control unit operation

The player can disable remote command reception, to avoid unintended operations by other remote commands when operating this player together with several DENON products.

- 1 In the stop mode, press **MENU**.
- 2 Turn the selector knob to select "IR Lock", then press the selector knob.
- 3 Turn the selector knob to select "On", then press the selector knob.
  - To use the remote control unit, select "Off".
- 4 Press **MENU** to exit.

### Playback from external equipment

- 1 Connect the external equipment to the AUX IN connector.
- 2 Press **SOURCE** to turn on the source indicator "AUX".
- 3 Start playback on the external equipment.

### Starting playback automatically upon power up (power on play)

- 1 In the stop mode, press **MENU**.
- 2 Turn the selector knob to select "Power On Source", then press the selector knob.
- 3 Turn the selector knob to select the source (CD), then press the selector knob.
- 4 Turn the selector knob to select "Auto Play", then press the selector knob.
- 5 Turn the selector knob to select "Play", then press the selector knob.
  - to disable this function, select "Off".
- 6 Press **MENU** to exit.

Setting items	Description
<b>Power On Source</b>	Sets the input source when this unit is turned on. CD* / iPod / AUX / Last
<b>Auto Play</b>	Starts playback automatically when the power is turned on. Actual playback source depends on the "Power On Source" setting. Play / Stop*
<b>FinishMode</b>	Defines the action when a track playback is finished. Stop / Next* / Recue
<b>Random</b>	Plays the playable tracks in random order. On / Off*
<b>Play Mode</b>	Selects whether the player plays one track only or all tracks. Single / Cont.*
<b>NextReserv.</b>	Enables the next track reservation by the selector knob. On / Off*
<b>IR Lock</b>	Disables the remote control command reception. On / Off*
<b>Play Range</b>	Selects the playback range for CD playback. All* / Folder.
<b>EOM</b>	Selects the time when time bar starts flashing before the track ends. Off / 10 sec* / 15 sec / 20 sec / 30 sec / 60 sec / 90 sec
<b>Auto Cue</b>	Skips a section with sound below -40dBFS for 20 seconds from the beginning of a track, and sets the cue point. On / Off*
<b>Dimmer</b>	Dims the display brightness. On / Off*
<b>BPM Disp.</b>	Turns on the BPM display. On* / Off
<b>Play Lock</b>	Selection of whether or not to inhibit the panel switches during playback. On / Off*
<b>SearchMode</b>	Selects whether or not to output audio during fast-forwarding/fast-reversing. Normal* / Silent
<b>Version</b>	The DN-500C software version is displayed.
<b>Default</b>	Sets all setting values to the factory default.



The "\*" mark next to the data indicates the default value.

## Initializing the settings






- 1** In the stop mode, press **MENU**.
- 2** Turn the selector knob to select "Default", then press the selector knob.
- 3** Turn the selector knob to select "Yes", then press the selector knob.
- 4** Press **MENU** to exit.



## Information

---

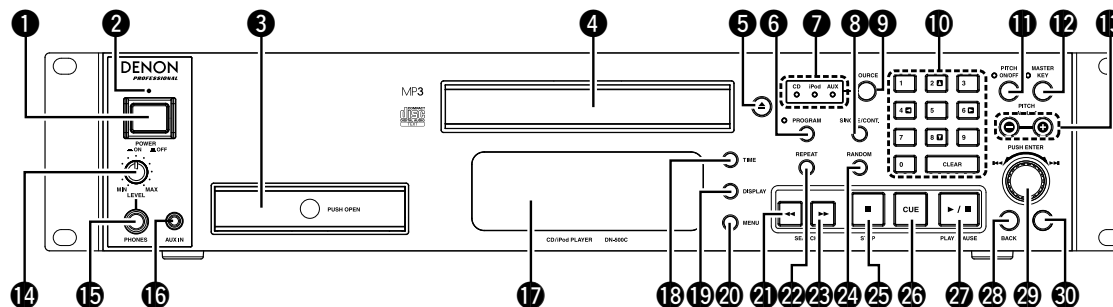
Here, we list various information related to this unit.  
Please refer to this information as needed.

- Part names and functions  [page 20](#)
- Other information  [page 24](#)
- Troubleshooting  [page 28](#)
- Specifications  [page 28](#)
- Index  [page 29](#)

# Part names and functions

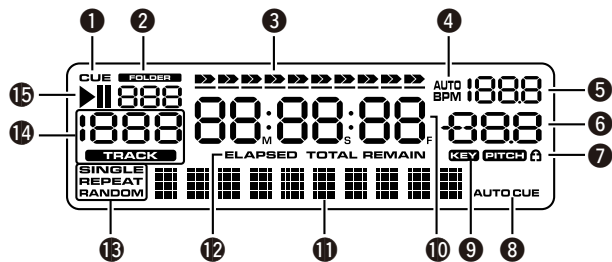
For buttons not explained here, see the page indicated in parentheses ( ).

## Front panel



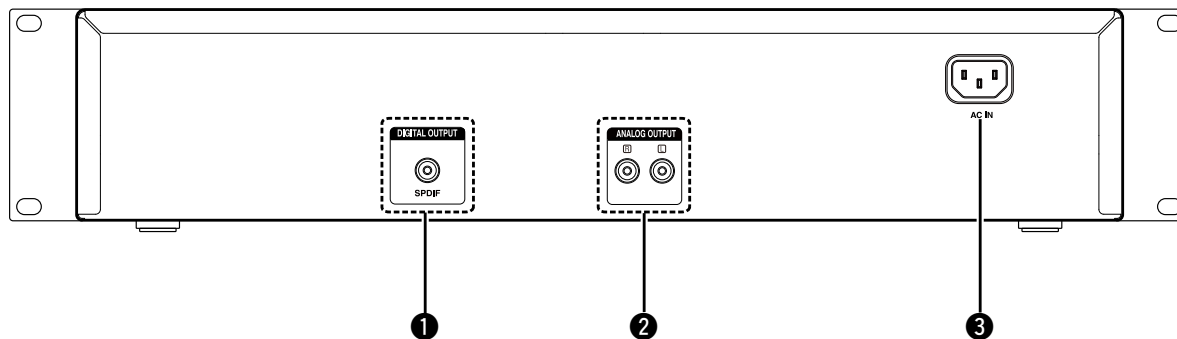
- |  |  |  |
|--|--|--|
| <b>1</b> Power operation button (POWER)..... (9)                 | <b>12</b> Key stabilizer button (MASTER KEY) ..... (10)            | <b>25</b> Stop button (■) ..... (16, 13)                     |
| <b>2</b> Power and standby indicator ..... (9)                   | <b>13</b> CD pitch adjustment button (PITCH ADJUST -/+ )..... (10) | <b>26</b> Cue point setting/locating button (CUE) ..... (14) |
| [Power indicator status]   | <b>14</b> Headphones volume control knob                           | <b>27</b> Play/Pause button (▶/  ) ..... (10, 13)            |
| • Power on : Green   | (PHONES LEVEL) ..... (17)  | <b>28</b> Returning button (BACK)                            |
| • Standby : Red  | <b>15</b> Headphones jack (PHONES)..... (17)                       | <b>29</b> Selector knob..... (12)                            |
| • Power off : Off  | <b>16</b> Auxiliary input connector (AUX IN) ..... (17)            | <b>30</b> Remote control sensor ..... (23)                   |
| <b>3</b> Dock for iPod (iPod DOCK) ..... (5)                     | <b>17</b> Display ..... (21)                                       |  |
| <b>4</b> Disc tray   | <b>18</b> Time indication selection button (TIME)..... (13)        |  |
| <b>5</b> Disc tray open/close button (▲)..... (10)               | <b>19</b> Display selection button (DISPLAY) ..... (12)            |  |
| <b>6</b> Program mode button (PROGRAM) ..... (11)                | <b>20</b> Menu opening/closing button (MENU)..... (12, 18)         |  |
| <b>7</b> Source indicators ..... (10, 12, 16)                    | <b>21</b> Reverse skip button (◀◀) ..... (13)                      |  |
| <b>8</b> Play mode selection button (SINGLE/CONT.) ..... (13)    | <b>22</b> Repeat mode button (REPEAT)..... (13)                    |  |
| <b>9</b> Source selection button (SOURCE) ..... (10, 12, 16)     | <b>23</b> Forward skip button (▶▶) ..... (13)                      |  |
| <b>10</b> Number buttons ..... (10)                              | <b>24</b> Random mode button (RANDOM)..... (13)                    |  |
| <b>11</b> Pitch adjustment mode button (PITCH ON/OFF) ..... (10) |  |  |

# Display



- 1 CUE indicator**  
Indicates the cue mode.
- 2 FOLDER indicator**  
Lights when "Play Range" is set to "FOLDER."
- 3 Play position indicator**  
The track playback time is displayed.
- 4 AUTO/BPM indicator**
- 5 BPM indicator**  
During playback or cue standby mode, the tempo (BPM) of the track is automatically measured and displayed.
- 6 Pitch indicator**  
Indicates the pitch.
- 7 Lock indicator**
- 8 AUTO CUE indicators**
- 9 Key adjustment indicator**
- 10 Time indicators**
- 11 CD transport indicator**  
File name, title, CD text, album name, artist name
- 12 Time mode indicators**  
ELAPSED: Elapsed time of currently playing track  
REMAIN: Remaining time of currently playing track  
TOTAL REMAIN: Remaining time for all remaining tracks
- 13 Play mode indicators**  
SINGLE: Single playback mode  
REPEAT: Repeat playback mode.  
RANDOM: Random playback mode.
- 14 Track number indicators**
- 15 Playback mode indicators**  
▶ : During Playback  
|| : During pause

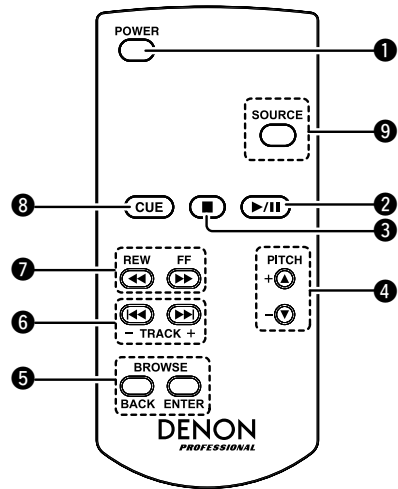
# Rear panel



- 1 Digital coaxial output connector (DIGITAL OUTPUT SPDIF)**..... (4)
- 2 Lch/Rch line output connectors (ANALOG OUTPUT)** ..... (4)
- 3 AC inlet**..... (7)

# Remote control unit

For buttons not explained here, see the page indicated in parentheses ( ).

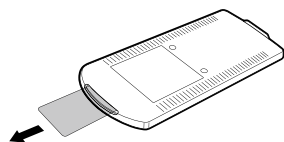


- ❶ POWER button ..... (9)
- ❷ Play/Pause button (▶/⏸) ..... (10, 13)
- ❸ STOP button (■) ..... (16, 13)
- ❹ PITCH (+/-) buttons ..... (10)
- ❺ BROWSE buttons ..... (16)
  - BACK button
  - ENTER button
- ❻ Skip buttons (|◀◀, ▶▶|) ..... (12)
  - TRACK (+/-) buttons
- ❼ REW button (◀◀) ..... (13)
  - FF button (▶▶) ..... (13)
- ❽ CUE button ..... (14)
- ❾ SOURCE button ..... (10, 12, 16)

## Installing the battery

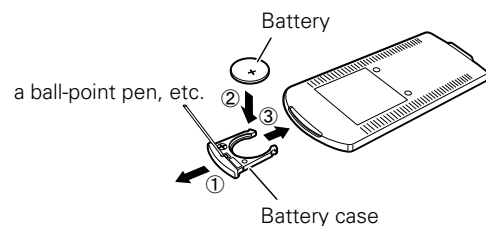
### Before using the remote control unit

A lithium battery comes installed in the remote control unit. Before use, pull out the insulation sheet.



### Replacing the battery

- ① Slide out the battery holder from the remote control by pushing into the hole in the holder with a ball-point pen, etc.
- ② Pull out the old lithium battery from the battery case and insert a new one. Place the battery so that the + (positive) side faces upward.
- ③ Replace the battery case in its original position.



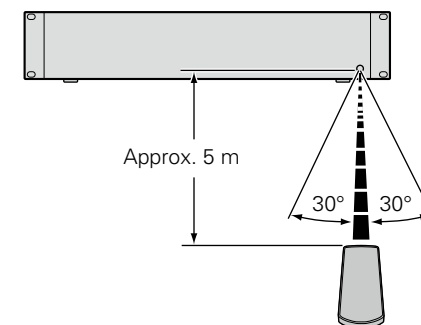
### NOTE

Misuse of the lithium battery can result in heat buildup, ignition, or rupture. Bear in mind the following points when using or replacing batteries.

- The supplied battery is for testing the functionality of the remote controller.
- Use a CR2025 lithium battery.
- NEVER recharge the battery.
- Do not handle the battery roughly or deconstruct the battery.
- When replacing the battery, place it with correct polarity (+ and -).
- Do not leave the battery in a place subject to high temperature, such as a place subject to direct sunlight.
- Keep the battery in a place beyond infants' or children's reach. If a battery is swallowed, consult a physician immediately.
- If electrolyte has leaked, discard the battery immediately. Be careful when handling such a battery, because if the electrolyte is attached to your skin or clothes, you may be burned. If it is accidentally attached, immediately wash with tap water then consult a physician.
- When a battery which is no longer required is to be discarded, insulate it with tape, etc. and dispose of it in a place without fire, by following the directions (regulations) laid down by the local authorities in the area concerned for its disposal.
- Used batteries should be disposed of in accordance with the local regulations regarding battery disposal.

## Operating range of the remote control unit

Point the remote control unit at the remote sensor when operating it.






### NOTE

The set may function improperly or the remote control unit may not operate if the remote control sensor is exposed to direct sunlight, strong artificial light from an inverter type fluorescent lamp or infrared light.

# Other information

## Playable media

### Discs

Playable media	
CD	
CD-R*	
CD-RW*	

#### NOTE

- Some discs and some recording formats may not be playable.
- Non-finalized discs cannot be played.

### Files

CD-R and CD-RW discs created in the format described below can be played.

#### Writing software format

ISO9660 level 1

- When written in other formats, it may not be possible to play the disc properly.

#### Maximum number of playable files and folders

Total number of folders and files : 512

Number of folders : 256

#### Tag data

ID3-Tags (Ver. 1.x and 2.x)

META-Tags (Compatible with title, artist and album names)

Playable files (Extension)	File specification
MP3 (.mp3)	<ul style="list-style-type: none"><li>• Sampling frequency : 32 / 44.1 / 48 kHz</li><li>• Bit rate : 32 kbps to 320 kbps</li><li>• Format : MPEG1 Audio Layer 3</li></ul>
WAV (.wav)	<ul style="list-style-type: none"><li>• Sampling frequency : 44.1 kHz at Normal Pitch</li><li>• Quantization : 16bit Linear</li></ul>

#### NOTE

- Be sure to give files the extension “.mp3” or “.wav”. Files with any other extensions or with no extensions cannot be played.
- Recordings you have made should only be used for your personal enjoyment, and as per copyright laws may not be used in other ways without permission of the copyright holder.

## MP3 or WAV playback order of MP3 or WAV files

When there are multiple folders containing MP3 or WAV files, the playback order of folders is automatically set when this unit reads the media. The files in each folder are played back in the order in which the files were recorded on the media, from the oldest date and time.

### CD-R/CD-RW

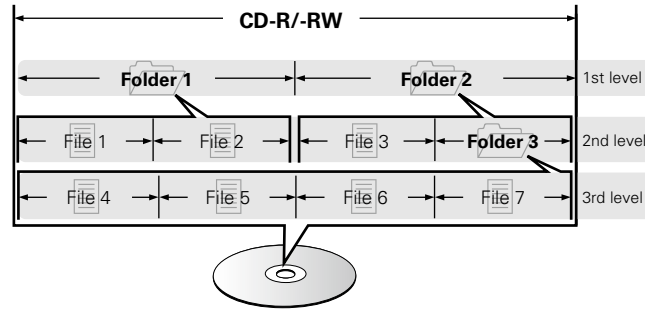
For playback of files on CD-R or CD-RW, files in all folders on the first layer are played first, next on the second layer, then next on the third layer, and so on in this order.



- The playback order displayed on a PC may differ from the actual playback order.
- The playback order with a CD-R/CD-RW may differ, depending on the writing software.

## About Discs and Files

Files, such as MP3/WAV etc., recorded on CD-R/-RW are divided into large segments (folders) and small segments (files). Files are stored in folders, and folders can be placed for storage in a hierarchy. The unit can recognize up to 8 levels of folders.



When writing MP3/WAV etc. files on a CD-R/-RW disc, set the writing software's format to "ISO9660". The files may not play properly if they are recorded in other formats. For details, refer to the instructions of your writing software.

## Cautions on using media

### Inserting a disc

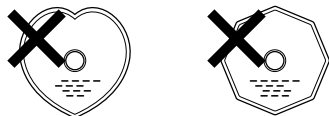
- Set the disc in the tray label side up.
- Make sure the disc tray is fully open when inserting the disc.
- Place the disc horizontally in the tray, aligned with the tray guide.



- "00 Tr 00 : 00" is displayed if a disc that cannot be played is loaded.
- "NO DISC" is displayed if the disc is loaded upside-down or if no disc is loaded.

#### NOTE

- Only load one disc at a time. Loading two or more discs can damage the unit or scratch the discs.
- Do not use cracked or warped discs or discs that have been repaired with adhesive, etc.
- Do not use discs on which the sticky part of cellophane tape or labels is exposed or on which there are traces of where labels have been removed. Such discs can get caught inside the player and damage it.
- Do not use discs in special shapes, as they may damage the player.



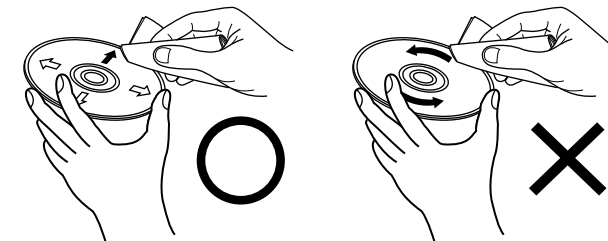
- Do not push the disc tray in by hand when the power is off. Doing so could damage the set.

### How to handle media

- Do not get fingerprints, oil or dirt on discs.
- Take special care not to scratch discs when removing them from their cases.
- Do not bend or heat discs.
- Do not enlarge the hole in the center.
- Do not write on the labeled (printed) surface with ball-point pens, pencils, etc., or stick new labels on discs.
- Condensation may form on discs if they are moved suddenly from a cold place (outdoors for example) to a warm place, but do not try to dry discs with a hairdryer, etc.
- After use, be sure to remove any disc, and store it in its proper case, to avoid dust, scratches and deformation.
- Do not store discs in the following places:
  1. Places exposed to direct sunlight for long periods of time
  2. Dusty or humid places
  3. Places exposed to heat from heaters, etc.

### Cleaning discs

- If there are fingerprints or dirt on a disc, wipe them off before using the disc.
- Use a commercially available disc cleaning set or a soft cloth to clean discs.



Gently wipe the disc from the inside towards the outside.

Do not wipe with a circular motion.

#### NOTE

Do not use record spray, antistatic agents, benzene, thinner or other solvents.



## Explanation of terms

### B

#### **Bit rate**

This is the amount of or audio data recorded on a disc that is read in one second.

### D

#### **Dynamic range**

The difference between the maximum, undistorted sound level and the minimum sound level that is discernible above the noise emitted by the device.

### F

#### **Finalizing**

This process enables CD recorded with a recorder to be played by other players.

### L

#### **Linear PCM**

This is an uncompressed PCM (Pulse Code Modulation) signal. This is the same system as the CD audio.

### M

#### **MP3 (MPEG Audio Layer-3)**

This is an internationally standardized audio data compression scheme, using the "MPEG-1" video compression standard. It compresses the data volume to about one eleventh its original size while maintaining sound quality equivalent to a music CD.

### S

#### **Sampling frequency**

Sampling involves taking a reading of a sound wave (analog signal) at regular intervals and expressing the height of the wave at each reading in digitized format (producing a digital signal).

The number of readings taken in one second is called the "sampling frequency". The larger the value, the closer the reproduced sound is to the original.

# Troubleshooting

If a problem should arise, first check the following:

1. Are the connections correct?
2. Is the set being operated as described in the owner's manual?
3. Are the other devices operating properly?

If this unit does not operate properly, check the items listed in the table below. Should the problem persist, there may be a malfunction.

In this case, disconnect the power immediately and contact your store of purchase.

## [General]

Symptom	Cause	Countermeasure	Page
Disc tray does not open/close.	• The power is not on.	• Turn on the power.	<a href="#">9</a>
The power is not ON.	• The set is in standby mode.	• Turn on the power by remote control unit. • Press and hold <b>SOURCE</b> and press <b>POWER</b> .	<a href="#">9</a> <a href="#">9</a>
"TOC Error" or "No Disc" is displayed even though a disc is loaded.	• The disc is not properly loaded.	• Reload the disc.	<a href="#">26</a>
Playback does not start even when the <b>▶/  </b> button is pressed.	• The disc is dirty or scratched.	• Wipe the dirt off the disc or replace the disc.	<a href="#">26</a>
No sound is produced or sound is distorted.	• The output cables are not properly connected to the amplifier. • The amplifier's function setting or adjustments are not right.	• Check the connections. • Check the amplifier's functions and controls and adjust as necessary.	<a href="#">4</a> , <a href="#">5</a> , <a href="#">7</a> -
A specific section of a disc does not play properly.	• The disc is dirty or scratched.	• Wipe the dirt off the disc or replace the disc.	<a href="#">26</a>
Programmed playback is not possible.	• The tracks have not been programmed properly.	• Program properly.	<a href="#">11</a>

## [iPod]

Symptom	Cause	Countermeasure	Page
The iPod cannot be played.	• It is not properly connected to the iPod dock.	• Reconnect.	<a href="#">5</a>

# Specifications

## CD section

<b>Type:</b>	Single-mechanism compact disc player
<b>Audio Channel:</b>	2 channel stereo
<b>Quantization:</b>	16-bit Linear
<b>Sampling Frequency:</b>	44.1 kHz at Normal Pitch
<b>Oversampling Ratio:</b>	8 times
<b>Frequency Response:</b>	20 to 20,000 Hz
<b>Total Harmonic Distortion:</b>	0.007 %
<b>Signal-to-noise Ratio:</b>	107 dB
<b>Dynamic Range:</b>	98 dB
<b>Channel Separation:</b>	90 dB
<b>Analog Output:</b>	RCA jack
<b>Output Level:</b>	2.0 V at 0 dB disc
<b>Load Impedance:</b>	10 kΩ or more
<b>Digital Output:</b>	RCA jack
<b>Signal Format:</b>	SPDIF or IEC-958 Type 11
<b>Variable Pitch Control:</b>	±16 % max.
<b>Frame Search Accuracy:</b>	1/75 second
<b>Discs:</b>	Standard compact discs (12 cm and 8 cm)

## AUX section

<b>Stereo mini jack:</b>	UNBALANCED Jack
<b>Reference Input Level:</b>	-16 dBV
<b>Maximum Input Level:</b>	0 dBV
<b>Input impedance:</b>	22 kΩ

## Headphone output

<b>Outputs Level:</b>	Stereo
<b>Load Impedance:</b>	20 mW 32 Ω

## Power supply

<b>Power Consumption:</b>	120 V AC ±10%, 60 Hz (for USA. & Canada models)
<b>Installation:</b>	230 V AC ±10%, 50/60 Hz (for European, U.K. & Asia/Pacific models)
	15W
	19-inch rack mountable (2U)

## Environmental conditions

<b>Operational temperature:</b>	5 to 35°C (41 to 95°F)
<b>Operational humidity:</b>	25 to 85% (no condensation)Storage

Service centers are listed at <http://www.d-mpro.com>

For purposes of improvement, specifications and design are subject to change without notice.

## Index

### **A**

Accessories ..... 1  
Auto Play ..... 17

### **B**

Battery ..... 23  
Bit rate ..... 24, 27  
BPM ..... 10

### **C**

Cable  
  Audio cable ..... 4  
  Coaxial cable ..... 4  
CD ..... 24  
CD-R/-RW ..... 24, 25  
Connection  
  Amplifier ..... 4  
  CD recorder ..... 4  
  iPod ..... 5  
  MD recorder ..... 4  
  Power cord ..... 7  
Cue function ..... 14

### **D**

Display ..... 21  
  Brightness ..... 17  
  Switching ..... 12  
Dynamic range ..... 27

### **E**

EOM ..... 10  
Extension ..... 24  
External equipment ..... 17

### **F**

Fast-forwarding ..... 13  
Fast-reversing ..... 13  
File ..... 24  
Finalizing ..... 27  
Folder ..... 25  
Folder playback ..... 12  
Front Panel ..... 20

### **H**

Headphones ..... 17, 20

### **I**

iPod ..... 16

### **L**

Linear PCM ..... 27

### **M**

Menu ..... 18  
  Initializing the settings ..... 18  
MP3 ..... 12, 24, 27

### **O**

Operation  
  Cue ..... 14  
  Fast-forward/fast-reverse ..... 13  
  Folder ..... 12  
  Pause ..... 13  
  Pitch adjustment ..... 10  
  Random ..... 13  
  Repeat ..... 13  
  Reserving ..... 14  
  Single ..... 13  
  Skip ..... 13  
  Standby position ..... 15  
  Stop ..... 13

### **P**

Pause ..... 13  
Pitch adjustment ..... 10  
Playback  
  CD ..... 10  
  iPod ..... 16  
  MP3 ..... 12  
  WAV ..... 12

### **R**

Random playback ..... 13  
Rear panel ..... 21  
Remote control unit ..... 22  
  Battery loading ..... 23  
  Command disabling ..... 17  
Repeat playback ..... 13

### **S**

Sampling frequency ..... 24, 27  
Searching ..... 13  
Search mode ..... 13  
Single playback ..... 13  
Skipping ..... 13  
Stop ..... 13

### **T**

Time indicator ..... 13  
Troubleshooting ..... 28

### **W**

Warranty ..... 30  
WAV ..... 12

# Warranty

## WARRANTY ONLY IN U.S.A.

### LIMITED WARRANTY FOR PROFESSIONAL PRODUCTS

This warranty will be honored only in the U.S.A.

#### □ Length of Warranty

The warranty on your Denon Professional product which is distributed and warranted by D&M Professional will remain in effect when purchased from an Authorized D&M Professional Reseller for 1 year Parts and Labor.

#### □ What is Covered

Except as specified below, this Warranty covers all defects in material and workmanship in this product. The following are not covered by the Warranty:

- (1) Any product which is not distributed in the U.S.A. by Denon Professional div. D&M Professional.
- (2) Any product on which the serial number has been defaced, modified or removed.
- (3) Damaged deterioration or malfunction resulting from:
  - a) Accident, act of nature, abuse, misuse, neglect, unauthorized product repair or modification or failure to follow instructions supplied with the product.
  - b) Repair or attempted repair by anyone not authorized by Denon Professional.
  - c) Any shipment of the product (claim must be presented to carrier).
- (4) Items subject to wear from normal usage (tape heads, cartridges, stylus, battery, etc.).
- (5) Periodic check-ups which do not disclose any defect.
- (6) Use of the product outside the U.S.A.
- (7) Damaged magnetic tape or CD/DVD/BD discs.

#### □ What We Will Pay For

If during the applicable warranty period from the date of original consumer purchase your Denon professional product is found to be defective by D&M Professional, D&M Professional will repair, or at its option, replace with new, used or equivalent model, such defective product without charge for parts or labor.

#### □ How to Obtain Warranty Performance

If your unit requires service under the warranty period, telephone the D&M Professional Technical Service and Support Department for available warranty repair options. You can find the contact details on our website (<http://usa.d-mpro.com/>). During the warranty period, the following procedures apply:

- a. A copy of the original, dated retail sales receipt from an authorized reseller is required for warranty repair.
- b. All warranty repairs require a service return authorization prior to shipment to the service center.
- c. You are responsible for shipping charges to the service center. Warranty repaired units will be returned to you freight prepaid.
- d. You should include the following: your name, address, daytime telephone number, model and serial number of the product and a description of the problem. In the case of a CD/DVD/BD Player, please enclose ONE (1) disc that the unit has failed with for test reasons. It will be returned with the unit.

THIS WARRANTY IS VALID IN THE U.S.A. ONLY.

If your product does not require service, but you have questions regarding its operation, please contact our Technical Services Department as listed below.

THIS WARRANTY IS EXPRESSLY MADE IN LIEU OF ALL OTHER WARRANTIES, EXPRESSED OR IMPLIED, INCLUDING WITHOUT LIMITATION, WARRANTIES OF MERCHANTABILITY AND FITNESS FOR A PARTICULAR PURPOSE.

OUR LIABILITY IS LIMITED TO THE REPAIR OR REPLACEMENT, AT OUR OPTION, OF ANY DEFECTIVE PRODUCT AND SHALL IN NO EVENT INCLUDE INCIDENTAL OR CONSEQUENTIAL COMMERCIAL OR PROPERTY DAMAGES OF ANY KIND.

SOME STATES DO NOT ALLOW LIMITATIONS ON HOW LONG AN IMPLIED WARRANTY LASTS AND/OR DO NOT ALLOW THE EXCLUSION OF INCIDENTAL OR CONSEQUENTIAL DAMAGES, SO THE ABOVE LIMITATIONS AND EXCLUSIONS MAY NOT APPLY TO YOU.

This warranty gives you specific legal rights, but you may also have other rights which vary from state to state.

#### D&M Professional AMERICA

<http://usa.d-mpro.com/>

You can find the contact details on this website.

## WARRANTY IN EUROPE AND ASIA

In Europe and Asia (except Japan), the warranty of this product is supplied by your local importer. Please contact your point of purchase for help with warranty claims.

#### D&M Professional EUROPE

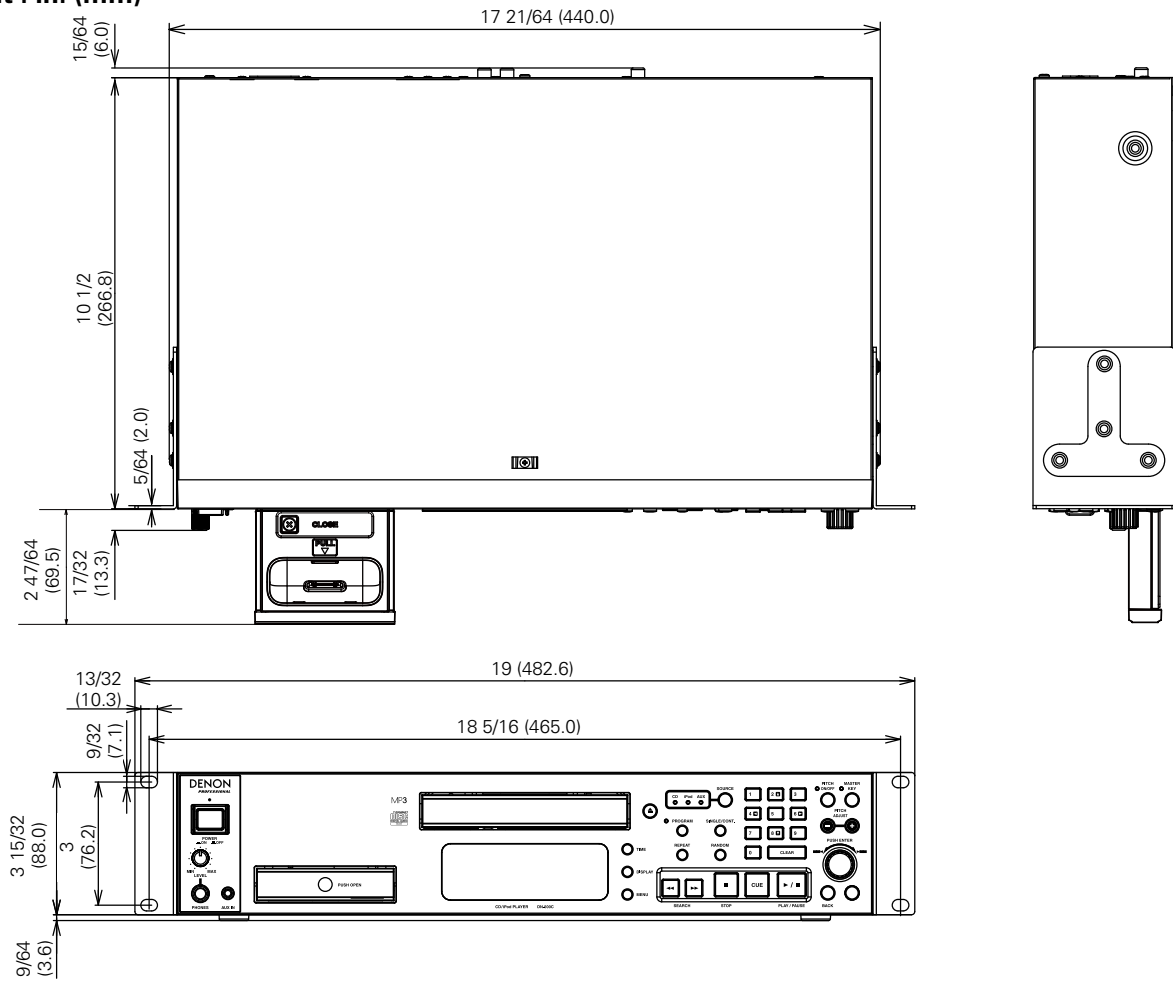
<http://www.dm-pro.eu/>

#### D&M Professional ASIA

<http://apac.d-mpro.com/>

# Dimensions

Unit : in. (mm)



**Weight : 10 lbs 5.8 oz (4.7 kg)**

# D&M Holdings Inc.